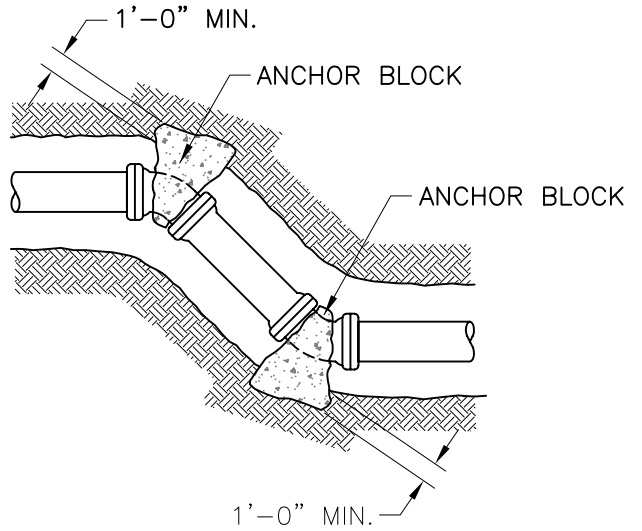
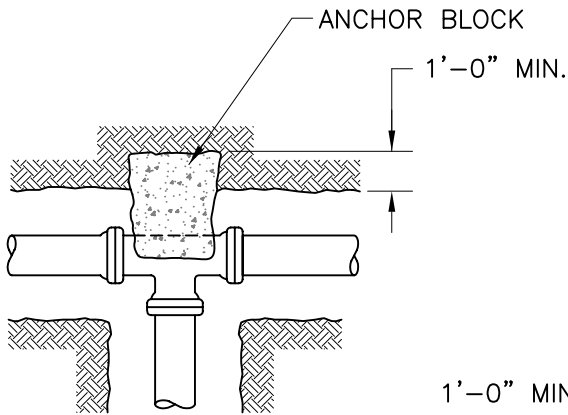


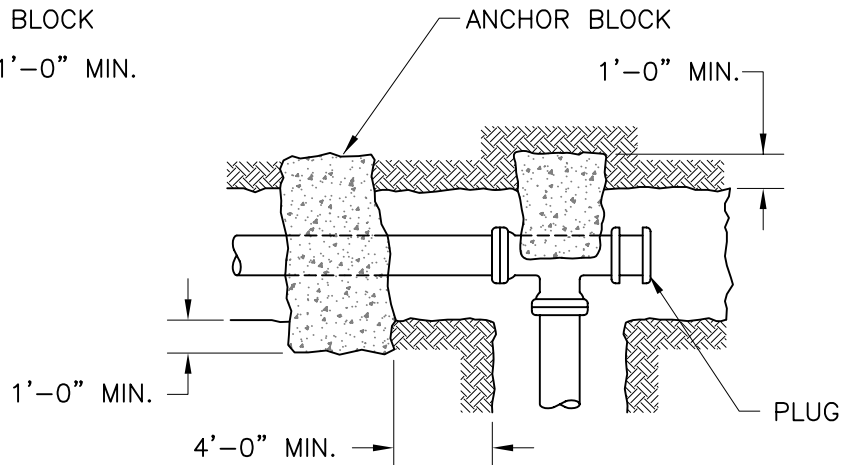
90° BEND



BENDS AND OFFSETS



TEE



TEE (RUN PLUGGED)

**NOTES:**

1. THRUST BLOCKS SHALL BE CONSTRUCTED OF CONCRETE USING 5-SACK MIX, TYPE II CLASS B WITH 3/4 INCH AGGREGATE.
2. THRUST BLOCK SHALL BE POURED AGAINST UNDISTURBED EARTH.
3. CONCRETE SHALL BE CONTAINED, ALLOWING ALL NUTS AND BOLTS TO BE EXPOSED AND REMOVABLE.
4. FOR REQUIRED THRUST BLOCK BEARING AREA, SEE SHEET W-07A
5. ALTERNATE RESTRAINT METHODS ARE SUBJECT TO CITY ENGINEER APPROVAL.



*City of San Bruno*  
Standard Detail

**THRUST BLOCKS**

CITY ENGINEER:

APPROVED BY: WING WONG

R.C.E. C35688

DATE: AUG 2011

DRAWN BY: JMH

**W-07**

DETAIL NO: