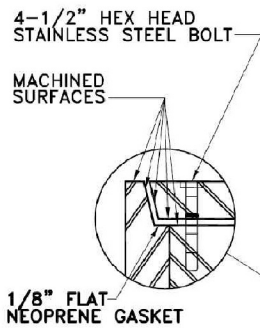


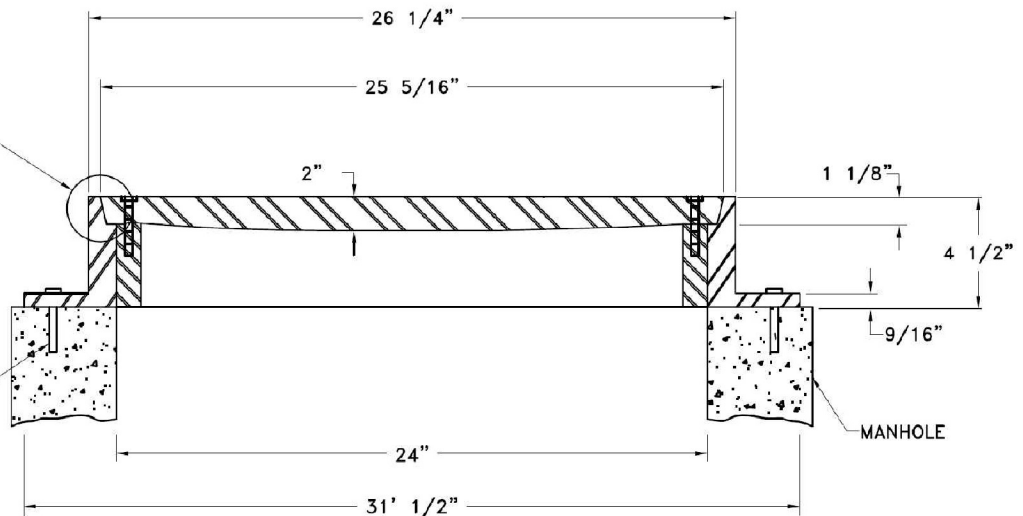
PLAN



1/8" FLAT-NEOPRENE GASKET

4-1/2" HEX HEAD STAINLESS STEEL BOLT

MACHINED SURFACES



SECTION
SCALE: 1 1/2" = 1'-0"

NOTE:

1. MAXIMUM ALLOWABLE PRESSURE SHALL BE 10 P.S.I.
2. ALL MATERIAL SHALL CONFORM TO ASTM SPECIFICATION A-159-70T-G3000
3. PHOENIX IRON WORKS MODEL P-1002 OR EQUAL IS ILLUSTRATED AND ACCEPTABLE



City of San Bruno
Standard Detail

**BOLT-DOWN MANHOLE
FRAME AND COVER**

CITY ENGINEER:

APPROVED BY:

WING WONG

R.C.E. C35688

DATE: AUG 2011

DRAWN BY:

SS-04

DETAIL NO: