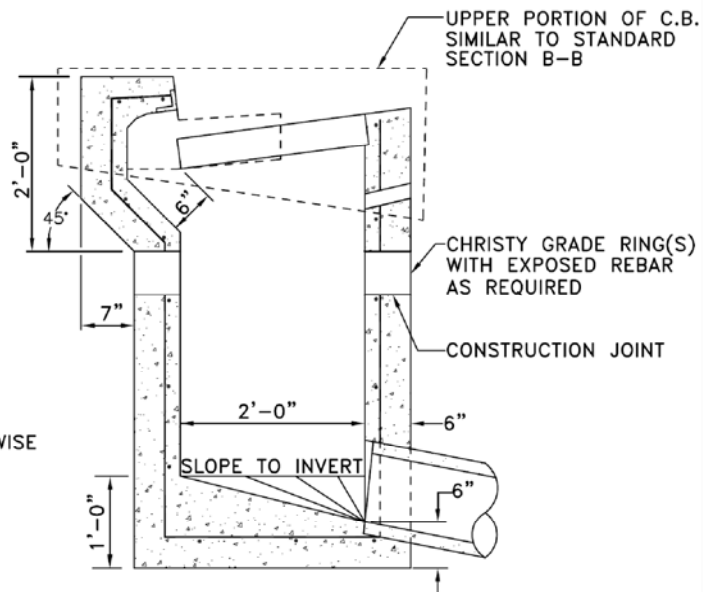
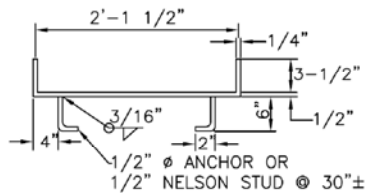


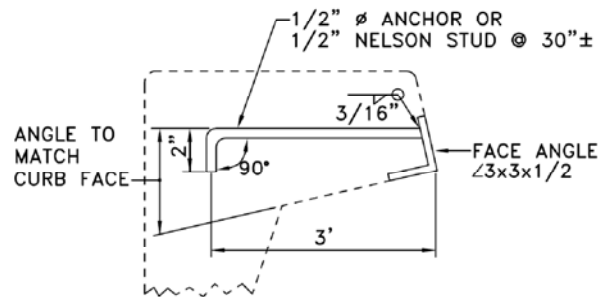
SECTION B-B



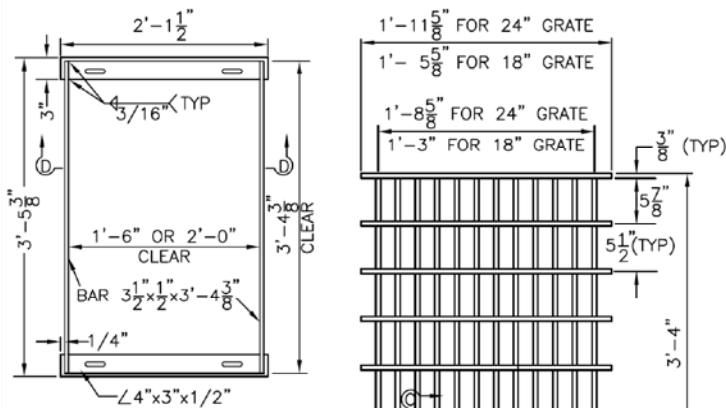
SECTION B-B
ALTERNATIVE CONSTRUCTION



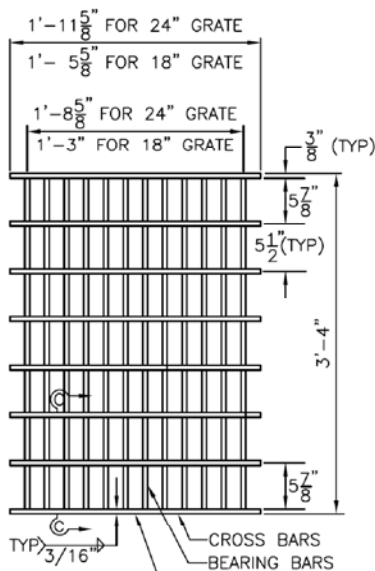
SECTION D-D



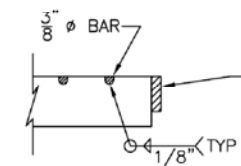
FACE ANGLE ANCHOR DETAIL



TYPICAL FRAME



TYPICAL GRATE



SECTION C-C

NOTES:

1. GRATE, FRAMES, AND FACE ANGLES SHALL BE HOTDIPPED GALVANIZED AFTER FABRICATION IN ACCORDANCE WITH ASTM SPEC. NO. A-123.
2. REINFORCING STEEL IN WALLS SHALL BE #4 BARS AT 12"± O.C. EACH WAY.
3. BEARING BARS FOR GRATES SHALL BE 3 1/2" x 3/8" BARS ON 1 7/8" CENTER.
4. USE NO. 12 BARS FOR 24" GRATE, NO. 9 BARS FOR 18" GRATE. 24" GRATE WEIGHT 192 LBS, 18" GRATE WEIGHT 145 LBS.
5. 3/8"Ø CROSS BARS FOR GRATES MAY BE FILLET WELDED, RESISTANCE WELDED OR ELECTROFORGED TO BEARING BARS.
6. ALL CONCRETE SHALL BE STATE CLASS A (6 SACK MIX).
7. PRECAST OR CAST-IN-PLACE CONCRETE UNIT BASED ON STATE TYPE "GO" IS ACCEPTABLE ALTERNATE.



City of San Bruno
Standard Detail

CATCH BASIN
SECTION AND DETAILS

CITY ENGINEER:

APPROVED BY:

WING WONG

R.C.E. C35688

DATE: AUG 2011

DRAWN BY:

SD-02

DETAIL NO: